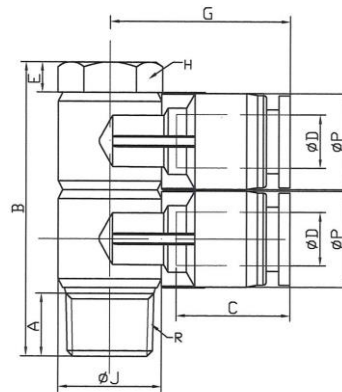


Push-in fittings series manufactured in plastic and nickel-plated brass.
All parts are suitable for use with hoses, tubes or pipes made of plastic and copper.

| | |
|-----------------------------------|---|
| Working pressure: | -0.95 - 10 bar |
| Max. working pressure short term: | 15 bar* |
| Temperature range: | -20 °C to 80 °C |
| Material: | Plastic and nickel-plated brass |
| Sleeve: | Plastic |
| Sealing surface: | Parallel version: O-ring in housing Conical version: PTFE thread coating |
| Medium: | Compressed air, neutral and safe gases and liquids* |
| Recommended hose: | PU or PA (nylon) |



214.018-6

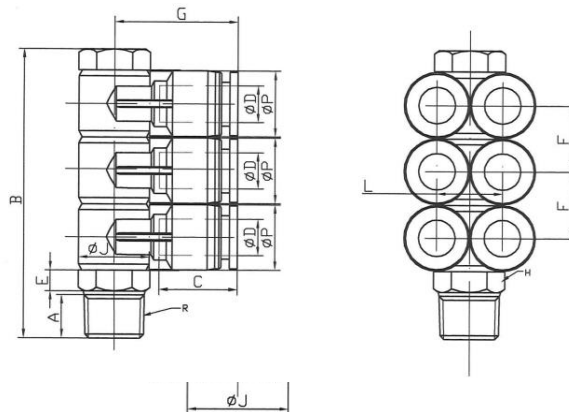


Multiple union elbow with outer hex, 4 outlets, swivel type, parallel male thread with O-ring (NBR)

| Art. No. | Type No. | ØD | R | ØP | ØJ | B | C | A | E | H | G | L | F |
|----------|------------|----|-------|------|------|------|------|-----|-----|----|------|------|------|
| 114594 | 214.018-4 | 4 | G 1/8 | 13.0 | 14.2 | 39.0 | 15.5 | 5.5 | 4.0 | 14 | 24.0 | 13.0 | 13.5 |
| 109695 | 214.018-6 | 6 | G 1/8 | 13.0 | 14.2 | 41.0 | 15.5 | 5.5 | 4.0 | 12 | 24.0 | 13.0 | 13.5 |
| 109696 | 214.018-8 | 8 | G 1/8 | 14.4 | 18.2 | 44.0 | 18.0 | 5.5 | 4.0 | 14 | 28.5 | 12.1 | 15.0 |
| 109697 | 214.014-6 | 6 | G 1/4 | 13.0 | 14.2 | 43.0 | 15.5 | 7.0 | 4.0 | 14 | 24.0 | 13.0 | 13.5 |
| 109698 | 214.014-8 | 8 | G 1/4 | 14.4 | 18.2 | 46.0 | 18.0 | 7.0 | 4.0 | 17 | 28.5 | 12.1 | 15.0 |
| 109699 | 214.014-10 | 10 | G 1/4 | 18.4 | 21.8 | 55.5 | 22.0 | 7.0 | 4.5 | 19 | 33.7 | 14.0 | 18.8 |
| 109700 | 214.038-10 | 10 | G 3/8 | 18.4 | 21.8 | 56.5 | 22.0 | 7.5 | 4.5 | 19 | 33.7 | 14.0 | 18.8 |
| 109701 | 214.038-12 | 12 | G 3/8 | 21.0 | 28.0 | 63.5 | 23.0 | 7.5 | 5.5 | 24 | 37.5 | 17.0 | 21.5 |
| 109702 | 214.012-12 | 12 | G 1/2 | 21.0 | 28.0 | 65.0 | 23.0 | 8.5 | 5.5 | 24 | 37.5 | 17.0 | 21.5 |



215.018-6



Multiple union elbow with outer hex, 4 outlets, swivel type, conical male thread, coated

| Art. No. | Type No. | ØD | R | ØP | ØJ | B | C | A | E | H | G | L | F |
|----------|------------|----|-------|------|------|------|------|------|-----|----|------|------|------|
| 109703 | 215.018-6 | 6 | R 1/8 | 13.0 | 14.2 | 38.5 | 15.5 | 7.0 | 4.0 | 12 | 24.0 | 13.0 | 13.5 |
| 109704 | 215.018-8 | 8 | R 1/8 | 13.0 | 14.2 | 41.6 | 15.5 | 9.0 | 4.0 | 14 | 28.5 | 13.0 | 13.5 |
| 109705 | 215.014-6 | 6 | R 1/4 | 14.4 | 18.2 | 40.5 | 18.0 | 7.0 | 4.0 | 14 | 24.0 | 12.1 | 15.0 |
| 109706 | 215.014-8 | 8 | R 1/4 | 14.4 | 18.2 | 43.6 | 18.0 | 9.0 | 4.0 | 14 | 28.5 | 12.1 | 15.0 |
| 109707 | 215.014-10 | 10 | R 1/4 | 18.4 | 21.8 | 52.8 | 22.0 | 9.0 | 4.5 | 19 | 33.7 | 14.0 | 18.8 |
| 109708 | 215.038-10 | 10 | R 3/8 | 18.4 | 21.8 | 53.8 | 22.0 | 10.0 | 4.5 | 19 | 33.7 | 14.0 | 18.8 |
| 109709 | 215.038-12 | 12 | R 3/8 | 21.0 | 28.0 | 61.0 | 23.0 | 10.0 | 5.5 | 24 | 37.5 | 17.0 | 21.5 |
| 109710 | 215.012-12 | 12 | R 1/2 | 21.0 | 28.0 | 64.0 | 23.0 | 13.0 | 5.5 | 24 | 37.5 | 17.0 | 21.5 |



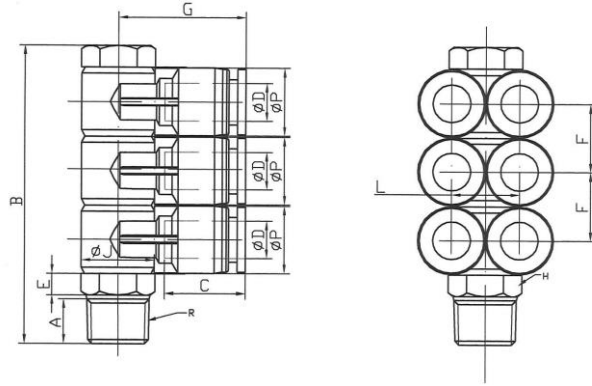
225.014-8

Multiple union elbow with outer hex, 6 outlets, swivel type, parallel male thread with O-ring (NBR)

| Art. No. | Type No. | ØD | R | ØP | ØJ | B | C | A | E | H | G | L | F |
|----------|------------|----|-------|------|------|------|------|-----|-----|----|------|------|------|
| 114595 | 225.018-4 | 4 | G 1/8 | 13.0 | 14.2 | 67.8 | 15.5 | 5.5 | 4.0 | 14 | 22.0 | 13.0 | 13.5 |
| 109711 | 225.018-6 | 6 | G 1/8 | 13.0 | 14.2 | 52.3 | 15.5 | 5.5 | 4.0 | 14 | 24.0 | 13.0 | 13.5 |
| 109712 | 225.018-8 | 8 | G 1/8 | 14.4 | 18.2 | 59.0 | 18.0 | 5.5 | 4.0 | 14 | 28.5 | 12.1 | 15.0 |
| 109713 | 225.014-6 | 6 | G 1/4 | 13.0 | 14.2 | 54.5 | 15.5 | 7.0 | 4.0 | 17 | 24.0 | 13.0 | 13.5 |
| 109714 | 225.014-8 | 8 | G 1/4 | 14.4 | 18.2 | 58.7 | 18.0 | 7.0 | 4.0 | 17 | 28.5 | 12.1 | 15.0 |
| 109715 | 225.014-10 | 10 | G 1/4 | 18.4 | 21.8 | 71.3 | 22.0 | 7.0 | 4.5 | 19 | 33.7 | 14.0 | 18.8 |
| 109716 | 225.038-10 | 10 | G 3/8 | 18.4 | 21.8 | 72.0 | 22.0 | 7.5 | 4.5 | 19 | 33.7 | 14.0 | 18.8 |
| 109717 | 225.038-12 | 12 | G 3/8 | 21.0 | 28.0 | 80.6 | 23.0 | 7.5 | 5.5 | 24 | 37.5 | 17.0 | 21.5 |
| 109718 | 225.012-12 | 12 | G 1/2 | 21.0 | 28.0 | 81.5 | 23.0 | 8.5 | 5.5 | 24 | 37.5 | 17.0 | 21.5 |



226.014-8

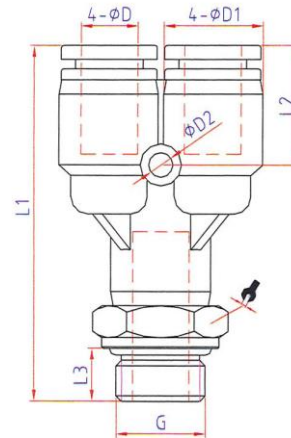


Multiple union elbow with outer hex, 6 outlets, swivel type, conical male thread, coated

| Art. No. | Type No. | ØD | R | ØP | ØJ | B | C | A | E | H | G | L | F |
|----------|------------|----|-------|------|------|------|------|------|-----|----|------|------|------|
| 109719 | 226.018-6 | 6 | R 1/8 | 13.0 | 14.2 | 52.0 | 15.5 | 7.0 | 4.0 | 12 | 24.0 | 13.0 | 13.5 |
| 109720 | 226.018-8 | 8 | R 1/8 | 14.4 | 18.2 | 56.5 | 18.0 | 7.0 | 4.0 | 14 | 28.5 | 12.1 | 15.0 |
| 109721 | 226.014-6 | 6 | R 1/4 | 13.0 | 14.2 | 54.0 | 15.5 | 9.0 | 4.0 | 14 | 24.0 | 13.0 | 13.5 |
| 109722 | 226.014-8 | 8 | R 1/4 | 14.4 | 18.2 | 58.5 | 18.0 | 9.0 | 4.0 | 14 | 28.5 | 12.1 | 15.0 |
| 109723 | 226.014-10 | 10 | R 1/4 | 18.4 | 21.8 | 71.5 | 22.0 | 9.0 | 4.5 | 19 | 33.7 | 14.0 | 18.8 |
| 109724 | 226.038-10 | 10 | R 3/8 | 18.4 | 21.8 | 72.5 | 22.0 | 10.0 | 4.5 | 19 | 33.7 | 14.0 | 18.8 |
| 109725 | 226.038-12 | 12 | R 3/8 | 21.0 | 28.0 | 72.5 | 23.0 | 10.0 | 5.5 | 24 | 37.5 | 17.0 | 21.5 |
| 109726 | 226.012-12 | 12 | R 1/2 | 21.0 | 28.0 | 75.5 | 23.0 | 13.0 | 5.5 | 24 | 37.5 | 17.0 | 21.5 |



216.014-6

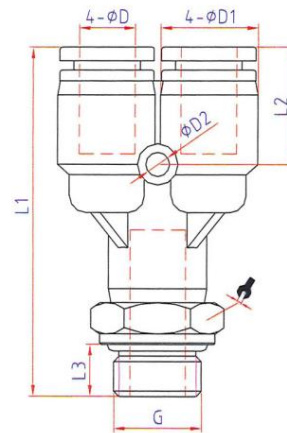


Distributor with male thread, 4 outlets, swivel type, parallel male thread with O-ring (NBR)

| Art. No. | Type No. | ØD | Thread | L3 | ØD1 | ØD2 | L | L1 | L2 | a/f |
|----------|-----------|----|--------|-----|------|-----|------|------|------|-----|
| 135720 | 216.005-4 | 4 | M5 | 4.0 | 10.5 | 3.2 | 10.5 | 39.5 | 14.0 | 10 |
| 135721 | 216.005-6 | 6 | M5 | 4.0 | 12.5 | 3.2 | 13.0 | 41.5 | 14.0 | 12 |
| 109785 | 216.018-4 | 4 | G 1/8 | 5,5 | 11,3 | 3,2 | 11,0 | 42,5 | 15,0 | 12 |
| 109786 | 216.018-6 | 6 | G 1/8 | 5,5 | 13,3 | 3,2 | 13,0 | 43,6 | 15,5 | 14 |
| 109787 | 216.014-4 | 4 | G 1/4 | 7,5 | 11,3 | 3,2 | 11,0 | 44,0 | 15,0 | 12 |
| 109788 | 216.014-6 | 6 | G 1/4 | 7,5 | 13,3 | 3,2 | 13,0 | 45,1 | 15,5 | 14 |

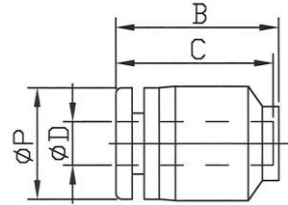


217.014-6



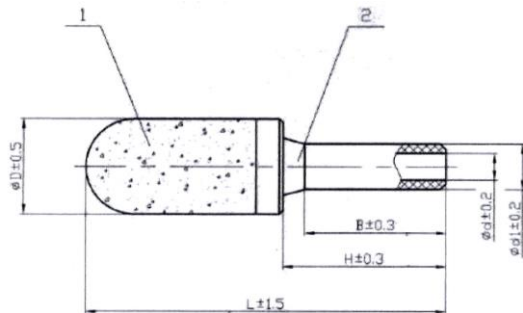
Distributor with male thread, 4 outlets, swivel type, conical male thread, coated

| Art. No. | Type No. | ØD | Thread | L3 | ØD1 | ØD2 | L | L1 | L2 | a/f |
|----------|-----------|----|--------|-----|------|-----|------|------|------|-----|
| 109789 | 217.018-4 | 4 | R1/8 | 7.5 | 11.3 | 3.2 | 11.0 | 42.0 | 15.0 | 10 |
| 109790 | 217.018-6 | 6 | R1/8 | 7.5 | 13.3 | 3.2 | 13.0 | 43.6 | 12.6 | 12 |
| 109791 | 217.014-4 | 4 | R1/4 | 9.5 | 11.3 | 3.2 | 11.0 | 45.0 | 15.0 | 14 |
| 109792 | 217.014-6 | 6 | R1/4 | 9.5 | 13.3 | 3.2 | 13.0 | 46.1 | 15.5 | 14 |


184.016


Cap

| Art. No. | Type No. | ØD | ØP | B | C |
|----------|----------|----|------|------|------|
| 109931 | 184.003 | 3 | 10.0 | 16.0 | 15.5 |
| 109932 | 184.004 | 4 | 10.0 | 16.0 | 15.5 |
| 109933 | 184.006 | 6 | 13.8 | 20.0 | 18.0 |
| 109934 | 184.008 | 8 | 13.8 | 21.0 | 18.0 |
| 109935 | 184.010 | 10 | 16.8 | 22.0 | 19.3 |
| 109936 | 184.012 | 12 | 19.8 | 23.0 | 21.0 |
| 109937 | 184.016 | 16 | 23.8 | 25.0 | 21.0 |


566.010


Silencer with push-in plug

Only recommended for use in combination with quick connectors of the »Blue series«. Suitability testing for use with other series is the responsibility of the user.

| Art. No. | Type No. | D | d | d1 | B | H | L |
|----------|----------|------|-----|----|------|------|------|
| 109938 | 566.006 | 12.5 | 3.5 | 6 | 18.7 | 21.5 | 46.5 |
| 109939 | 566.008 | 13.5 | 5.0 | 8 | 15.5 | 20.1 | 45.0 |
| 109940 | 566.010 | 15.5 | 7.0 | 10 | 24.5 | 27.0 | 58.0 |
| 109941 | 566.012 | 18.5 | 8.5 | 12 | 26.5 | 28.7 | 81.5 |

*The suitability test for the individual application is the user's responsibility.